



# TL-006: SimulCharge USB and LAN Adapter for Samsung Galaxy Tab 4 and Tab S (4-USB 1-LAN)

**Simultaneously charge and use your Samsung Galaxy Tab 4 / S in USB OTG Host / wired Ethernet mode**

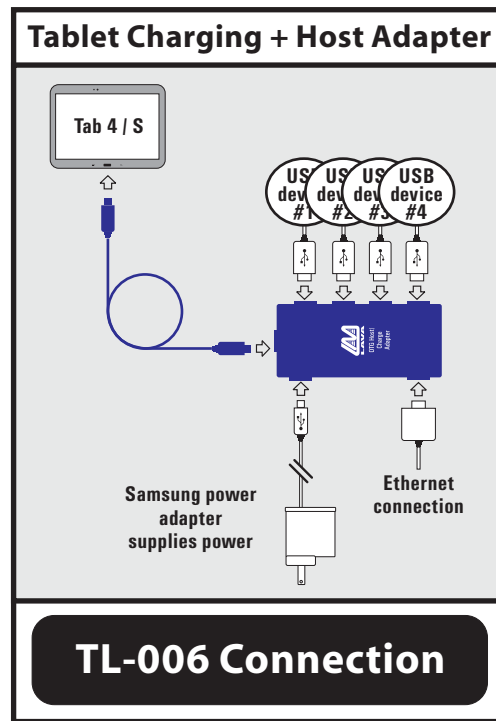
## PRODUCT DETAILS

This intelligent adapter makes it possible to simultaneously operate your Samsung Galaxy Tab 4/S in host mode, to give it a wired Ethernet connection, and to charge it at the same time, functionalities not supported by standard USB host mode (USB OTG mode) adapters.

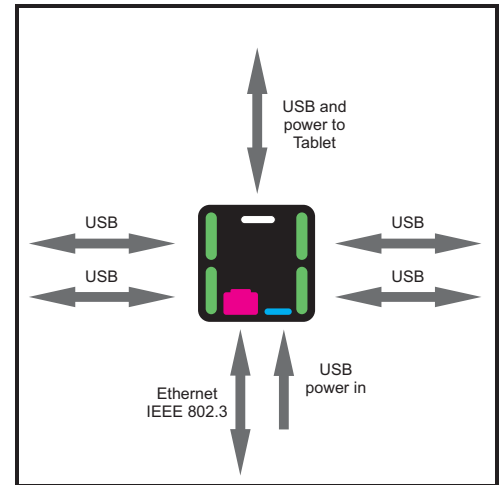
This adapter is designed for robust operation, with more advanced Accessory Charging Adapter (ACA) mode switching, and more stable tablet charging characteristics.

## FEATURES

- Simultaneous OTG host, Ethernet, and charging for Samsung
- Designed for Galaxy Tab 4 (8.0", 10.1"), Tab S (8.4", 10.5")
- 4 x USB ports
- 1x Ethernet port
- Micro USB "B" to Micro USB "B" cable from adapter to tablet
- Powered by USB Power in through Micro USB "B" receptacle
- Enhanced host to charging adapter mode switching
- Enhanced charging stability
- LAVA Limited Warranty



INPUT-OUTPUT DIAGRAM



- USB 2.0 (USB "A" receptacle)
- USB power in (Micro USB "B" receptacle)
- Ethernet IEEE 802.3 (RJ-45 receptacle)
- USB 2.0 to Tablet (Micro USB "B" receptacle)

## LAVA ADVANTAGE

- Designed for continuous use
- Enhanced host to Accessory Charging Adapter (ACA) mode switching
- Enhanced charging stability

## SYSTEM REQUIREMENTS

### Client:

USB interface; Samsung Galaxy Tab 4 (8.0", 10.1"), Tab S (8.4", 10.5")

### Ports/Connectors:

- 4 x USB A port (for USB Host device connection)
- 1 x Ethernet port (for data)
- 1 x Micro USB B port (for power input)
- 1 x Micro USB B port (for tablet connection)
- 1 x 5-pin Micro USB B–Micro USB B cable (8"/20 cm)

### Product Details:

Shipping weight: 5.65 oz 160 g;  
7.06 oz 200 g (with cable)

## About LAVA

Headquartered in Toronto, ON, Canada, LAVA Computer MFG Inc. designs and manufactures tablet interfaces for USB and LAN, serial and parallel I/O boards, Ethernet-to-serial device servers, and USB-to-serial interfaces that are widely used in the Point of Sale, Kiosk, Gaming, Industrial Automation, Security and Access Control industries. LAVA also has engineered the LAVA IP System (LIPS), an application-specific IP interface and hardware family for IP enabling Internet of Things devices quickly and at low cost. With well over a million LAVA products built into workstations, servers, retail POS systems, and industrial computers since 1984, LAVA interfaces are trusted by resellers, distributors, OEMs and system builders in over 47 countries worldwide.

**LAVA: The Source for Ports.**

